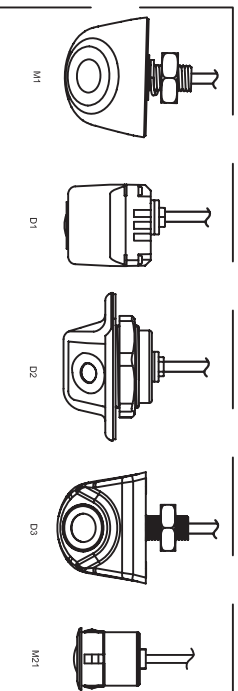
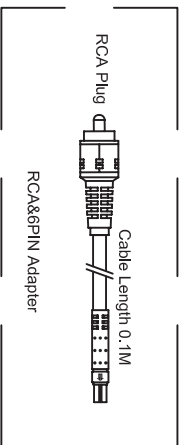
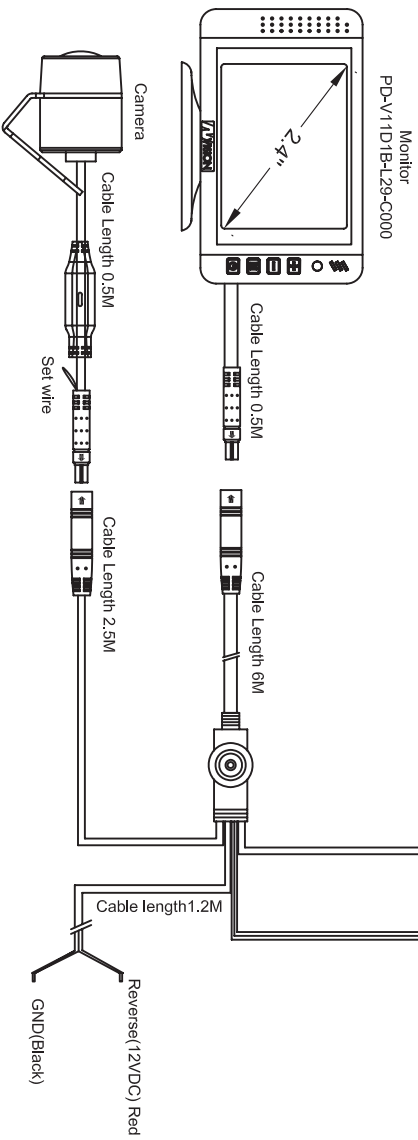
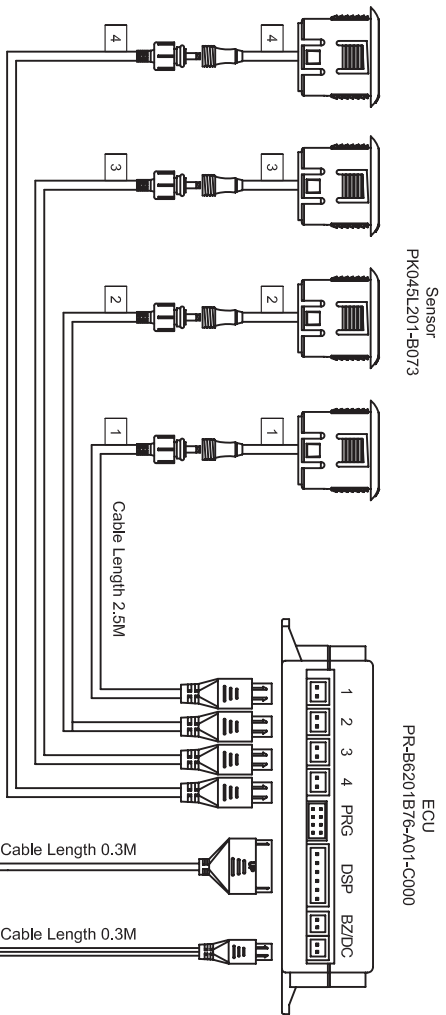


| SPECIFICATION | |
|-----------------------------|---------------------------|
| Rated Voltage | 12V DC |
| Operation Voltage | 10.5V~16V DC |
| Operation Current | 250mA Max |
| Sound Pressure (dB at 30CM) | 0~90dB |
| TV System | PAL |
| Image Pixels | 648(H) X 488(V) |
| Monitor Size | 2.4" |
| Visual Angle | 12'clock |
| Resolution | 420TV Lines |
| Min. Illumination | 1.0 Lux (#2.0) |
| FOV (Field of View) | H.FOV=121° V.FOV=94.5° |
| Operation Humidity | <90%RH |
| IP Code | IP67 |
| Operation Temp. | -30~+80 (°C) |



| No. | Name | Model | Description | Unit | mm | General Tolerance | ±0.2 | File | Specification | DAW | CHK | Ver. | Rev. Date | T1M2V45-4 |
|-----|------|-------|-------------|------|----|-------------------|------|------------|---------------|-------|-----|------|-----------|-----------|
| | | | | | | | | Type Model | V-B301-003 | APRD | | | | |
| | | | | | | | | Part Name | CMOS Camera | Dept. | | | | |